



Leanwrap™

**Less Waste, Safer Loads!**

Patented and patent pending innovations that overcome today's stretch wrapping challenges!



# SL Automatic

Stretch Wrapping System

**Loads are Harder to Wrap Than Ever!**

Today's stretch wrapping challenges have spawned an epidemic of fragile and demanding loads that are harder than ever to wrap. Yesterday's technology doesn't give you the tools to know if your loads are safe to ship.

So we reinvented stretch wrapping.

Our exclusive, patented LeanWrap features give you what you need to manage the performance of your loads and overcome today's stretch wrapping challenges.

Stop breaking stretch film. Stop twisting loads. Stop loads from sliding off the pallets. Stop destructive film tails. Stop guessing if your loads are safe to ship.

Take control of your stretch wrapping.

**LeanWrap technology gets you less waste and safer loads.**

**The right containment force applied consistently is the key to stretch wrapping success.**



**Good Loads**

- Containment force is at or above the minimum requirement everywhere on the load.
- The load is bonded to the pallet with 3-5 inches of film rolled into a cable.
- Looks good. No long or dragging film tails.

**"Good loads are safe to ship."**

**Lantech®**

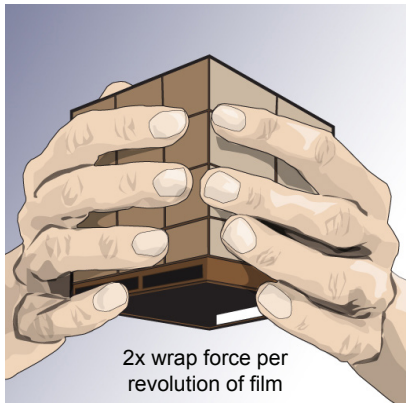
# SL Automatic

## Exclusive LeanWrap Innovations



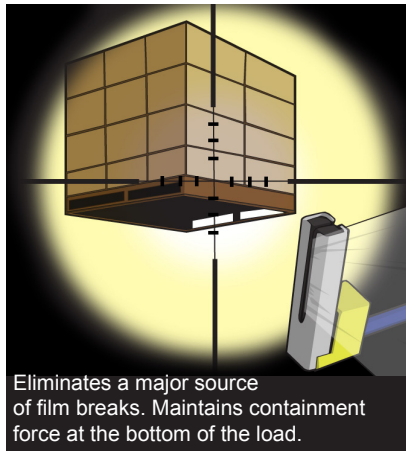
### Metered Film Delivery® System

- No Load Twisting
- No Load Crushing
- No Film Breaks



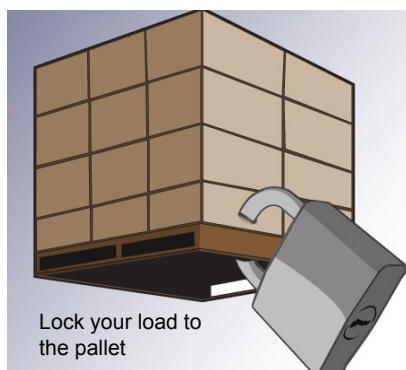
### Load Seeking Clamp® 4.0

No loose or dragging film tails



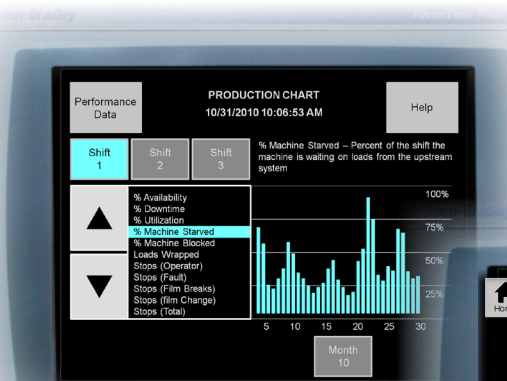
### Pallet Grip®

Stop loads from sliding off the pallet



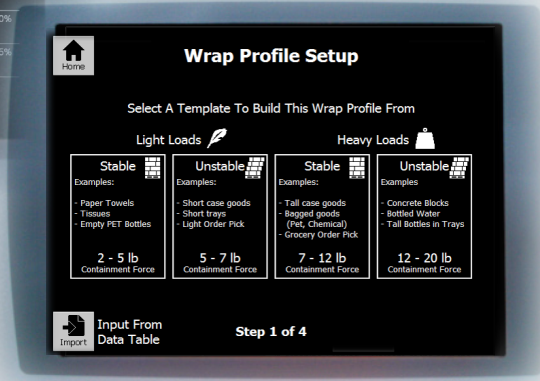
### Load Guardian™

Simplifies the process of setting up a stretch wrapper to effectively wrap loads. Containment force monitoring ensures every load has the right amount of containment force. The intuitive interface has a host of other key stretch wrapping data and help screens.



## Stop Guessing!

## Knowledge is Power!



## Specifications

### PERFORMANCE CRITERIA

Production Speed	20-90 loads per hour based on load height
Maximum Load Size	58" L x 58" W x 80" H
Minimum Load Size	36" L x 36" W x 24" H
Maximum Load Weight	Conveyor Capacity

### LOAD HANDLING SYSTEM

Rotation Drive	TEFC AC Motor
Rotation Speed	1-40 RPM controlled by VFD (depending on machine model)

### FILM DELIVERY SYSTEM

Film Capacity	20" web with 10" diameter
Film Cut and Clamp	Load Seeking Clamp™ impulse hot wire cut
Pallet Grip	Standard

### CONTAINMENT FORCE TOOL

CFT-5 with Film Scale and Holder

### ELECTRICAL DATA

Enclosure	NEMA 12, UL
Power	460VAC/3/60Hz
	10K SCCR w/breakers
Control	PLC with Ethernet Communication
HMI	Touchscreen
Wiring	Pre-wired with quick connect cables

### PNEUMATIC DATA

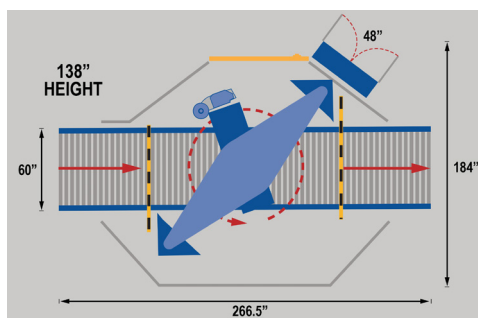
All Requirements	3-5 CFM at 60-80 PSI
------------------	----------------------

### SHIPPING WEIGHT

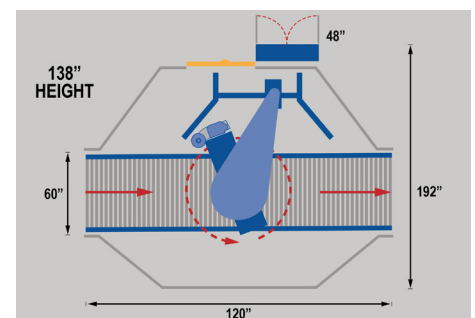
Machine Only	4,300 lbs.
--------------	------------

### SERVICE SUPPORT

Warranty	3 years unlimited cycles
Technical Support	24 hrs/7 days a week



SL Automatic - 2 Legs



SL Automatic - 1 Leg

MEMBER PMMI USA  
Specifications subject to change without notice. Lantech systems and sub-systems are protected by U.S. and foreign patents. Additional U.S. and foreign patents pending. © Lantech.com 2012